

**PRODUCT DESCRIPTION**

RoCko water tanks are used for the purpose of collecting rainwater, which can replace water for car washing, garden watering and rinsing of toilets.

Water tanks are made from one piece of polyethylene and offers 100 % waterproofing.

The shape and dimensions of the RoCko water tank allows easy manipulation at the construction site and easy underground or free standing installation.

The tank has an integrated extension  $\Phi$  600 x 300 mm which can be cut and adjusted to the height of the terrain. At the top of the tank a walkable cover with loads up to 200 kg is installed.

**Water tank has been tested in accordance with standard SIST EN 12566 – 3.**


**TECHNICAL DATA RoCko 10000 L**
**ROCKO WATER TANK ADVANTAGES**

- Fast and simple installation**
- Adjustable cover height
- Long life service**
- Monolithic tank
- Various inlet and outlet pipe installation**
- Straight bottom of the tank
- Fast delivery**
- Slovenian product

Technical data	Values
<b>Total volume</b>	10000 L
<b>Dimensions D x Hmin - Hmax</b>	$\Phi$ 2300 x 3250 – 3500 mm
<b>Installation</b>	Underground or free standing installation
<b>Diameter of revision openings</b>	$\Phi$ 600 mm
<b>Adjustable extension</b>	$\Phi$ 600 x 0 – 250 mm
<b>Material</b>	Polyethylene [PE]
<b>UV resistant material</b>	Yes
<b>Inflow/Outflow pipe possibility</b>	DN 110, DN 125, DN 160, ...
<b>Neto weight</b>	306 kg
<b>Standard</b>	SIST EN 12566 - 3
<b>Cover</b>	PE walk-on cover

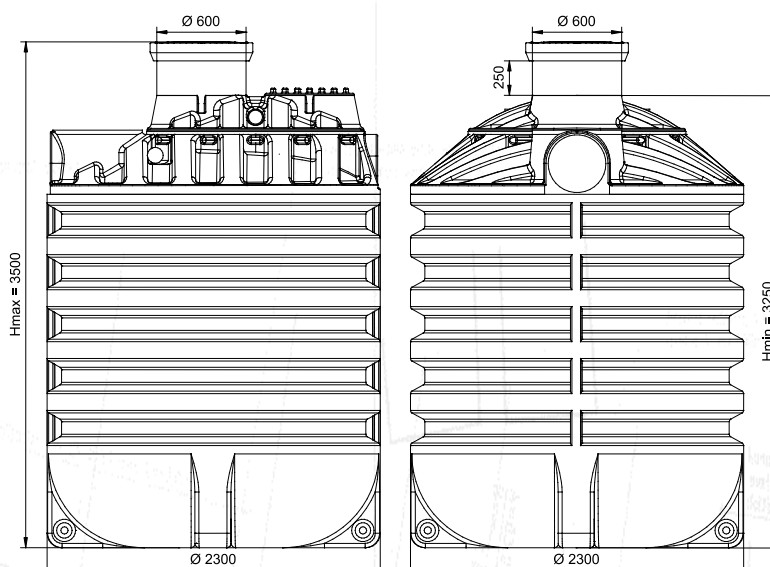
### MECHANICAL RESISTANCE AND STABILITY

Mechanical resistance and stability checked ( Report no. 0087 / 17 – 680 – 2 ) by the institute:  
Slovenian national building and civil engineering institute, Dimičeva ulica 12, 1000 Ljubljana



### WATERTIGHTNESS

Watertightness checked ( Report no. P 0087 / 17 – 680 – 1 ) by the institute:  
Slovenian national building and civil engineering institute, Dimičeva ulica 12, 1000 Ljubljana



### ADDITIONAL INFORMATION

#### ROCKO INSTALLATION

Rocko water tank installation is fast and simple and can be made in few hours. Excavate the pit, install the tank and fill with the water at the same time. Connect it to the inflow and the outflow pipes (various standard pipes possibility). Tank can be installed by Roto experts. Installation must be made according general instructions accessed on the QR code.

The construction of the tank allows the tank to be installed as free standing unit (installation in the cellar or along the building).

#### ADDITIONAL EQUIPMENT

Various additional accessories such as filters, level gauge and extensions can be installed on the tank. For more informations on additional equipment go to: [www.rotoECO.eu](http://www.rotoECO.eu)



Instructions for installation



Roto Eco d.o.o.

Puconci 12, 9201 Puconci,

SLOVENIA

Customer support: (+386) 2 5252 152

Technical support: (+386) 2 5252 196

Web page: [www.rotoECO.eu](http://www.rotoECO.eu)

All rights reserved, including the rights of photomechanical reproductions and storage on electronic media. The manufacturer reserves the rights to change the product. Any commercial use of the processes and working procedures assumed in this document is prohibited. Although information, texts and photos were carefully collected. The mistakes can not be completely excluded. The publisher and editors can not assume legal responsibility or guarantee any incorrect information. The publisher and editors are grateful for any possible suggestions for improvements and warnings of possible mistakes in the text.